

Made for U Thinking of U

NEW U RANGE



Completely
Silent



Minimum
Size



Maximum
Efficiency



**green
cooling**



cubigel[®]
compressors



by
HUAYI
COMPRESSOR
BARCELONA

NEW U RANGE

Made for U
Thinking of U

The most efficient
Compact size
Extremely silent
Green Cooling

The new U Range offers to the market the most efficient compressors in its series.

This U Range has been designed using the most advanced technologies to minimize the energy consumption while offering a high cooling capacity.

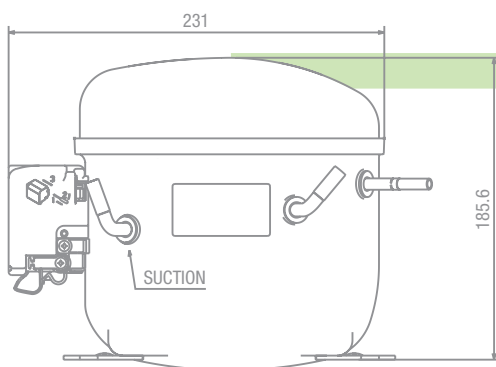
Thanks to its new shell, more compact and rounded, the U range offers a very low noise level.

Nowadays, the U Ranges offers R290 models NUT55CA, NUT60CA, NUT70CA, to be extended in the future to other refrigerants and applications.

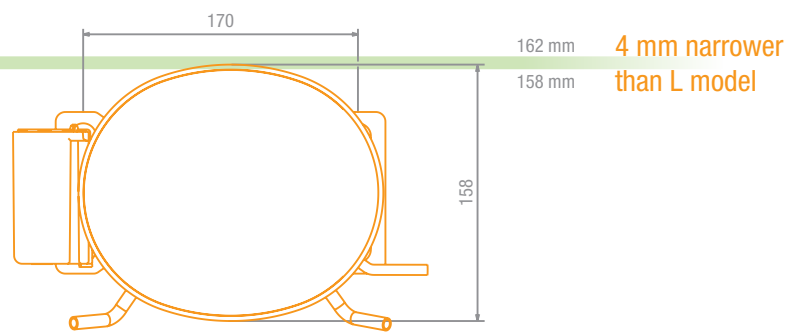
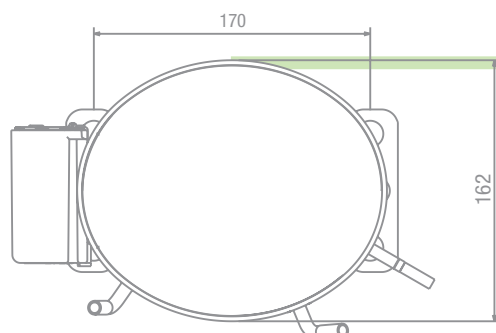
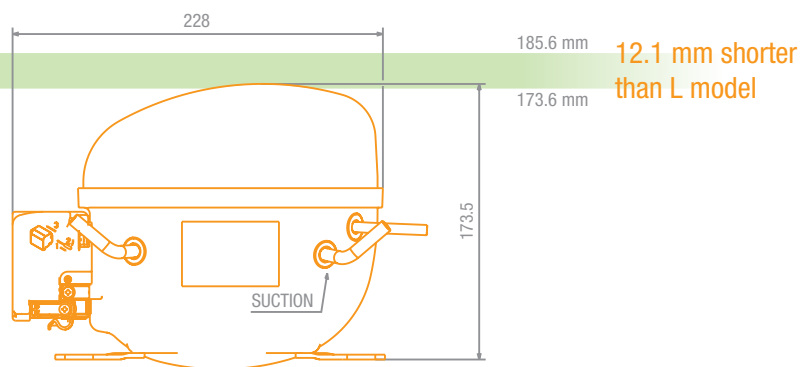
U Range & L Range comparison

- Higher efficiency: +27%
- Smaller: 12 mm shorter
- Lighter: 2,5 kg less weight
- Quieter: -10dB(A)

L Range



U Range



Performance

R290 LBP • 50Hz

	MODEL	DISPLACEMENT cm ³	POWER hp	APPLICATION	CPR COOLING	VOLTAGE FREQUENCY	MOTOR	STARTING	EXPANSION	REFRIGERATION CAPACITY						WEIGHT Kg	
										COP in W/W 1 W = 0,864 kcal/h = 3,415 BTU/h Evaporating Temperature °C							
										Cecomaf (W)			Ashrae				
										-25		-10	-23,3		COP		
										-40	-30		W	COP			kcal/h
✔	NUT55CAa	5.5	1/6	LBP	F	220-240V 50Hz ~1	RSIR	P	C	115	152	196	1.25	381	227	1.63	8.90
✔	NUT55CAb	5.5	1/6	LBP	F	220-240V 50Hz ~1	RSCR	P	C	115	152	196	1.38	381	227	1.79	8.90
✔	NUT60CAa	6.0	1/5	LBP	F	220-240V 50Hz ~1	RSIR	P	C	129	170	223	1.30	431	261	1.69	9.15
✔	NUT60CAb	6.0	1/5	LBP	F	220-240V 50Hz ~1	RSCR	P	C	129	170	223	1.39	431	261	1.80	9.15
✔	NUT70CAa	6.7	1/5	LBP	F	220-240V 50Hz ~1	RSIR	P	C	148	195	246	1.31	463	288	1.69	9.20
✔	NUT70CAb	6.7	1/5	LBP	F	220-240V 50Hz ~1	RSCR	P	C	148	195	246	1.39	463	288	1.80	9.20

R600a HMBP • 50Hz

	MODEL	DISPLACEMENT cm ³	POWER hp	APPLICATION	CPR COOLING	VOLTAGE FREQUENCY	MOTOR	STARTING	EXPANSION	REFRIGERATION CAPACITY						WEIGHT Kg	
										COP in W/W 1 W = 0,864 kcal/h = 3,415 BTU/h Evaporating Temperature °C							
										Cecomaf (W)			Ashrae				
										5		-10	7.2		COP		
										-25	-15		W	COP			kcal/h
✔	HUY55MAa	5.5	1/6	HMBP	S	220-240V 50Hz ~1	RSIR	P	C	141	186	239	2.28	456	280	2.96	8.85
✔	HUY55MAb	5.5	1/6	HMBP	S	220-240V 50Hz ~1	RSCR	P	C	141	186	239	2.39	456	280	3.10	8.85
✔	HUY70MAa	6.7	1/5	HMBP	S	220-240V 50Hz ~1	RSIR	P	C	175	230	296	2.28	565	346	2.96	9.00
✔	HUY70MAb	6.7	1/5	HMBP	S	220-240V 50Hz ~1	RSCR	P	C	175	230	296	2.34	565	346	3.04	9.00

Provisional Data

R134a LMBP • 60Hz

	MODEL	DISPLACEMENT cm ³	POWER hp	APPLICATION	CPR COOLING	VOLTAGE FREQUENCY	MOTOR	STARTING	EXPANSION	REFRIGERATION CAPACITY						WEIGHT Kg	
										COP in W/W 1 W = 0,864 kcal/h = 3,415 BTU/h Evaporating Temperature °C							
										Cecomaf (W)			Ashrae				
										-25		-10	-23,3		COP		
										-35	-30		W	COP			kcal/h
✔	GUY60NR	6.0	1/5	LMBP	F	115-127V 60Hz ~1	CSIR	R	C	80	113	158	1.15	362	185	1.49	9.00
✔	GUY70NR	6.7	1/5	LMBP	F	115-127V 60Hz ~1	CSIR	R	C	86	121	166	1.15	386	194	1.49	9.30
✔	GUY80NR	8.1	1/4	LMBP	F	115-127V 60Hz ~1	CSIR	R	C	107	151	209	1.14	480	245	1.49	9.60
✔	GUY11NR	10.6	3/8	LMBP	F	115-127V 60Hz ~1	CSIR	R	C/V	133	189	261	1.09	598	305	1.42	9.90

Provisional Data

✔ Green Cooling Models



Completely
Silent



Minimum
size

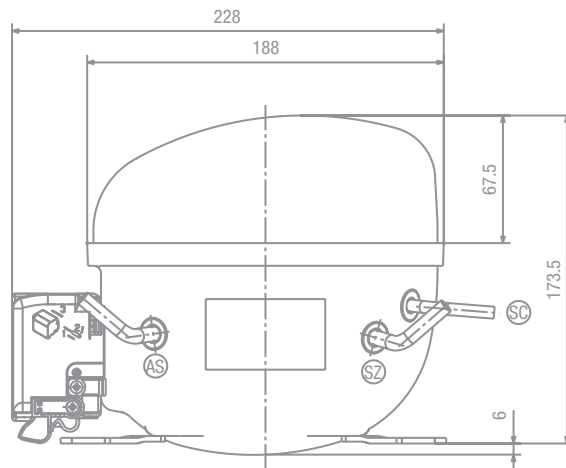
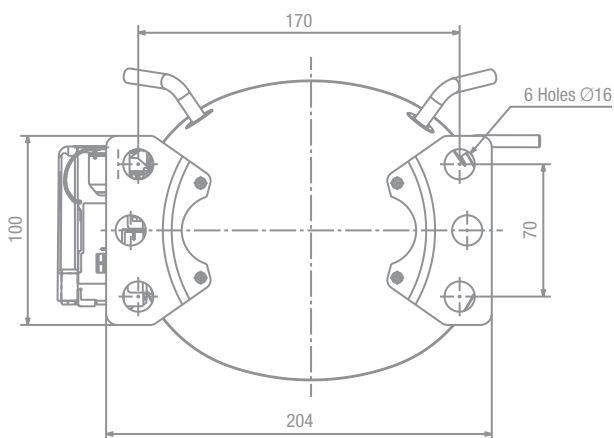
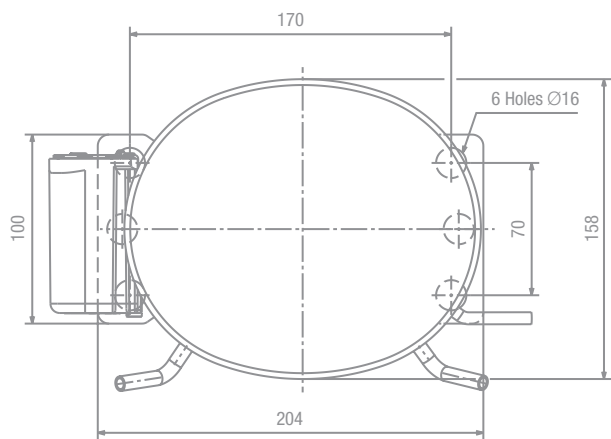


Maximum
Efficiency



**green
cooling**

Dimensions



	Designation	Internal diam.
AS	Service	6.2 mm
SC	Discharge	4.9 mm
SZ	Suction	6.2 mm



**HUAYI
COMPRESSOR
BARCELONA**

Huayi Compressors Barcelona, S.L.
Antoni Forrellad, 2 · 08192
Sant Quirze del Vallès · BCN · Spain
Phone: +34 93 710 60 08
Fax: +34 93 710 69 58

www.huayicompressor.es



NEW U RANGE