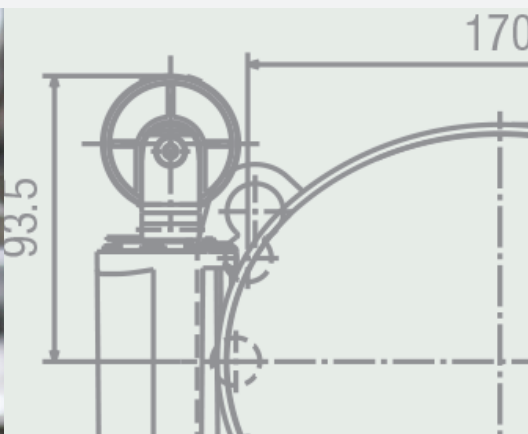


MORE THAN 50 NEW COMPRESSOR MODELS

designed for our customers



cubigel[®]
compressors
by
HUAYI
COMPRESSOR
BARCELONA

Live the **cooling** experience

More than 50 new compressor models designed for our customers

With the aim of improving our products in terms of energy efficiency, reliability and cost-competitiveness, during last year 2015, Huayi Compressor Barcelona launched to the market more than 50 new compressors for all refrigeration needs and type of applications, extending our offer of products for the ranges L, P, U and X.

New L & P extended ranges: More efficient, compact and competitive

The new L & P models are 20% more efficient while being more compact thanks to the use of high efficiency mechanics that allow us to replace larger displacement models.

The **New L extended range** increased the displacement of the current L range up to 10.7cc covering compressors of 12cc and offering better efficiency (up to 20%) and size reduction. The **New P extended range** increases their displacement up to 18cc, offering replacement to compressors of 21cc of the X range and improving the efficiency up to 9%.

The main benefits of L and P extended range are:

- Compactness versus the standard version of 12cc P platform.
- Better efficiency versus the standard version.
- More cost effective.

L12 LBP models

REFRIGERANT	MODEL	DISPLACEMENT cm ³	APPLICATION	CPR COOLING	VOLTAGE FREQUENCY	MOTOR	Compressor Performance ASRHAЕ conditions	
							-23,3° C	
							kcal/h	COP
R134a	GLM12LAa	10.70	LBP	F	220-240V 50Hz ~1	CSIR	225	1.20
R134a	GLM12LAb	10.70	LBP	F	220-240V 50Hz ~1	CSR	225	1.26
R134a	GLY12NRa	10.70	LMBP	F	115-127V 60Hz ~1	CSIR	280	1.34
R134a	GLY12NRb	10.70	LMBP	F	115-127V 60Hz ~1	CSR	280	1.42
R290	NLY12LAa	10.70	LBP	F	220-240V 50Hz ~1	CSIR	420	1.24
R290	NLY12LAb	10.70	LBP	F	220-240V 50Hz ~1	CSR	420	1.31
R404A	MLY12LAa	10.70	LBP	F	220-240V 50Hz ~1	CSIR	490	1.33
R404A	MLY12LAb	10.70	LBP	F	220-240V 50Hz ~1	CSR	490	1.41
R404A	MLY12LGa	10.70	LBP	F	200-220/230V 50/60Hz ~1	CSIR	490	1.20
R404A	MLY12LGb	10.70	LBP	F	200-220/230V 50/60Hz ~1	CSR	490	1.30
R404A	MLY12LFa	10.70	LBP	F	208-230V 60Hz ~1	CSIR	572	1.28
R404A	MLY12LFb	10.70	LBP	F	208-230V 60Hz ~1	CSR	572	1.33

L12 HMBP models

REFRIGERANT	MODEL	DISPLACEMENT cm ³	APPLICATION	CPR COOLING	VOLTAGE FREQUENCY	MOTOR	Compressor Performance ASRHAЕ conditions	
							+7,2° C	
							kcal/h	COP
R134a	GLY12RAa	10.70	HBP	F	220-240V 50Hz ~1	CSIR	900	2.30
R134a	GLY12RAb	10.70	HBP	F	220-240V 50Hz ~1	CSR	900	2.57
R134a	GLY12RGa	10.70	HBP	F	200-220/220-230V 50/60Hz ~1	CSIR	900	2.19
R134a	GLY12RGb	10.70	HBP	F	200-220/220-230V 50/60Hz ~1	CSR	900	2.32
R134a	GLY12RRa	10.70	HMBP	F	115-127V 60Hz ~1	CSIR	1035	2.20
R134a	GLY12RRb	10.70	HMBP	F	115-127V 60Hz ~1	CSR	1035	2.32
R290	NLY12RAa	10.70	HMBP	F	220-240V 50Hz ~1	CSIR	1250	2.35
R290	NLY12RAb	10.70	HMBP	F	220-240V 50Hz ~1	CSR	1250	2.67

P18 LBP models

REFRIGERANT	MODEL	DISPLACEMENT cm ³	APPLICATION	CPR COOLING	VOLTAGE FREQUENCY	MOTOR	Compressor Performance ASRHAЕ conditions	
							-23,3° C	
							kcal/h	COP
R290	NPT18LA	18.00	LBP	F	220-240V 50Hz ~1	CSR	745	1.51
R404A	MPT18LA	18.00	LBP	F	220-240V 50Hz ~1	CSR	825	1.36

P18 HMBP models

REFRIGERANT	MODEL	DISPLACEMENT cm ³	APPLICATION	CPR COOLING	VOLTAGE FREQUENCY	MOTOR	Compressor Performance ASRHAЕ conditions	
							+7,2° C	
							kcal/h	COP
R134a	GPT18RA	18.00	HBP	F	220-240V 50Hz ~1	CSR	1525	2.38

New U Range Compressors: Redefining efficiency

The range that redefined the efficiency is now more extended. Huayi Compressor Barcelona extends the catalogue with new models of energy-optimized compressors for different appliances and refrigerants. The new U Range offers to the market the most efficient compressors in its series, a compact size and a very low noise level.

The main benefits of U range:

- Maximum Efficiency. Designed using the most advanced technologies to minimize energy consumption.
- Low noise and less vibration due to the new shell configuration.
- Compact size.

New U range LBP models

REFRIGERANT	MODEL	DISPLACEMENT cm ³	APPLICATION	CPR COOLING	VOLTAGE FREQUENCY	MOTOR	Compressor Performance ASRHAЕ conditions	
							+7,2° C	
							kcal/h	COP
R290	NUT55CAa	5.50	LBP	F	220-240V 50Hz	RSIR	227	1.64
R290	NUT55CAb	5.50	LBP	F	220-240V 50Hz	RSCR	224	1.80
R290	NUT60CAa	6.00	LBP	F	220-240V 50Hz	RSIR	261	1.98
R290	NUT60CAb	6.00	LBP	F	220-240V 50Hz	RSCR	261	1.80
R290	NUT70CAa	6.70	LBP	F	220-240V 50Hz	RSIR	288	1.68
R290	NUT70CAb	6.70	LBP	F	220-240V 50Hz	RSCR	288	1.80
R134a	GUY60NRb	6.00	LMBP	S	115-127V 60Hz	CSIR	215	1.49
R134a	GUY60NRc	6.00	LMBP	F	115-127V 60Hz	CSIR	215	1.49
R134a	GUY70NRb	6.70	LMBP	S	115-127V 60Hz	CSIR	225	1.49
R134a	GUY70NRc	6.70	LMBP	F	115-127V 60Hz	CSIR	225	1.49
R134a	GUY80NRb	8.10	LMBP	S	115-127V 60Hz	CSIR	285	1.49
R134a	GUY80NRc	8.10	LMBP	F	115-127V 60Hz	CSIR	285	1.49
R290	NUT55LRa	5.50	LBP	F	115-127V 60Hz	CSIR	278	1.62
R290	NUT55LRb	5.50	LBP	F	115-127V 60Hz	CSR	278	1.74
R290	NUT60LRa	6.00	LBP	F	115-127V 60Hz	CSIR	311	1.64
R290	NUT60LRb	6.00	LBP	F	115-127V 60Hz	CSR	311	1.74
R290	NUY45LAa	4.50	LBP	F	220-240V 50Hz	CSIR	190	1.60
R290	NUY45LAb	4.50	LBP	F	220-240V 50Hz	CSR	190	1.70

New U range HMBP models

REFRIGERANT	MODEL	DISPLACEMENT cm ³	APPLICATION	CPR COOLING	VOLTAGE FREQUENCY	MOTOR	Compressor Performance ASRHAЕ conditions	
							+7,2° C	
							kcal/h	COP
R600a	HUY55MAa	5.50	HMBP	S	220-240V 50Hz	RSIR	280	2.96
R600a	HUY55Mab	5.50	HMBP	S	220-240V 50Hz	RSCR	280	3.10
R600a	HUY70MAa	6.70	HMBP	S	220-240V 50Hz	RSIR	340	2.96
R600a	HUY70Mab	6.70	HMBP	S	220-240V 50Hz	RSCR	340	3.04

Compact Solution: New X Range CSR models with Current relay and NTC

The new X range models now includes the solution of current relay with NTC which makes them more compact and competitive.

The main purpose of the NTC resistance assembled in a standard current relay is to reduce the voltage peaks in the relay contacts.

The main benefits of NTC patent solution are the compactness and competitiveness versus the standard CSR version with potential relay. The bulky external connecting box which contains a voltage relay is not required.

LBP models

REFRIGERANT	MODEL	DISPLACEMENT cm ³	APPLICATION	CPR COOLING	VOLTAGE FREQUENCY	MOTOR	Compressor Performance ASRHAЕ conditions	
							-23,3° C	
							kcal/h	COP
R404A	MX18FBa	18.40	LBP	F	220-240V 50Hz ~1	CSR	700	1.36
R404A	MX21FBa	20.72	LBP	F	220-240V 50Hz ~1	CSR	805	1.35
R404A	MX23FBa	23.20	LBP	F	220-240V 50Hz ~1	CSR	915	1.35
R290	NX21FBa	20.72	LBP	F	220-240V 50Hz ~1	CSR	780	1.44
R290	NX23FBa	23.20	LBP	F	220-240V 50Hz ~1	CSR	862	1.41

HMBP models

REFRIGERANT	MODEL	DISPLACEMENT cm ³	APPLICATION	CPR COOLING	VOLTAGE FREQUENCY	MOTOR	Compressor Performance ASRHAЕ conditions	
							+7,2° C	
							kcal/h	COP
R404A	MX16TBa	16.03	HBP	F	220-240V 50Hz ~1	CSR	2030	2.15
R404A	MX18TBa	18.40	HBP	F	220-240V 50Hz ~1	CSR	2330	2.18
R404A	MX21TBa	20.72	HBP	F	220-240V 50Hz ~1	CSR	2620	2.15
R290	NX18TBa	18.40	HMBP	F	220-240V 50Hz ~1	CSR	2102	2.61
R290	NX21TBa	20.72	HMBP	F	220-240V 50Hz ~1	CSR	2334	2.55



cubigel[®]
compressors
by
HUAYI
COMPRESSOR
BARCELONA

Live the **cooling** experience